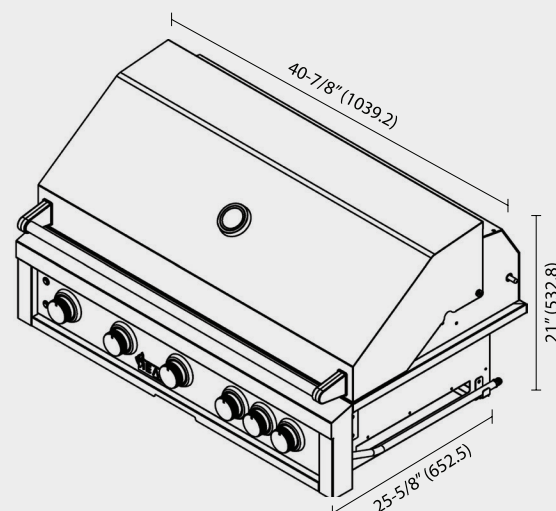
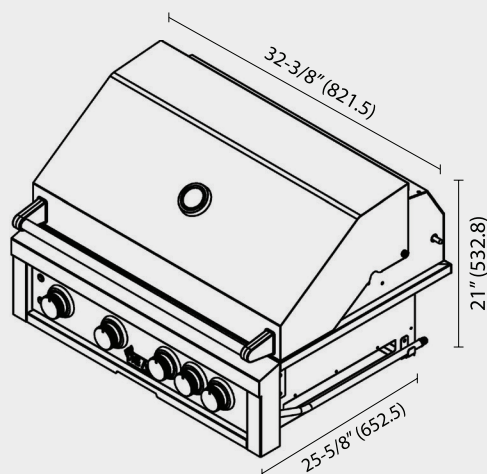




GAS BARBECUE GRILLS

Heat Professional Gas Grills deliver high performance and chef-inspired features at a fantastic value! Powerful cast stainless steel burners are paired with our unique Diamond V flame stabilizers and cooking grids. This design delivers the intense, even heat needed to achieve perfect results across the spacious grilling surface. Crafted from commercial grade 304 stainless steel, its professional grade construction creates an optimal cooking environment and provides long-lasting durability and performance. In fact, it's built so well, we offer a **lifetime warranty***.

- 304 Stainless Steel Construction
- 4 or 5 professional quality 304 cast stainless steel burners
- 4 burner option with 56,000 BTUs or 5 burner option with 70,000 BTU, 14,000 BTUs per burner
- 12,000 BTU infrared rotisserie burner
- Full-width drip tray that's easy to clean
- Natural gas and Liquid Propane options
- Optional hardware-free install, pre-assembled carts available



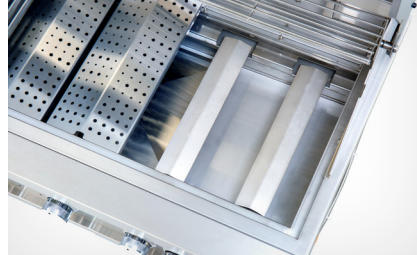
FEATURES

HEAT Advantage



CAST STAINLESS STEEL BURNERS

Up to 750° surface temperatures with up to 70,000 BTUs of total cooking power.



16 GAUGE FLAME TAMER SYSTEM

Delivers even cooking, easy cleaning, high temperatures with reduced Flare ups and a lifetime warranty.



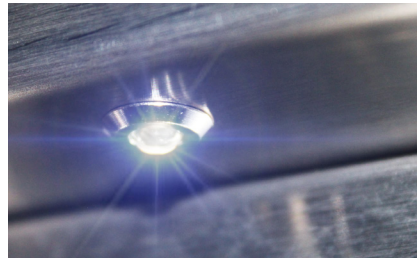
DIAMOND V™ COOKING GRID

Infuse meats and vegetables and grills to perfection everytime. The Diamond shape produces high temperatures, superior cooking and easy cleaning.



STAINLESS STEEL PROFESSIONAL STYLE DOUBLE WALLED HOOD

Provides excellent heat retention, is cool to the touch, and counter balanced for easy lifting.



INTEGRATED CONTROL PANEL

Illuminates the control panel and knobs with CBL cool blue LEDs, and the 110 volt provides reliable operation.



VARIABLE HEAT CONTROL KNOBS

Simple push and turn to light, control valves provide a variable heat setting for high or low heat cooking.

MODEL

DESCRIPTION

DIMENSIONS

HTGR32-4-XX

32" 4-Burner Gas Grill with Rear Infrared Burner - Natural Gas/ Liquid Propane

21"H x 32.375"W x 25.625"D

HTX-32-CART

Grill Cart for 32" 4-Burner Gas Grill

35.5"H x 56.25"W x 22"D

HTGR40-5-XX

40" 5-Burner Gas Grill with Rear Infrared Burner - Natural Gas/ Liquid Propane

21"H x 40.375"W x 25.625"D

HTX-40-CART

Grill Cart for 40" 5-Burner Gas Grill

35.5"H x 63.38"W x 22"D